

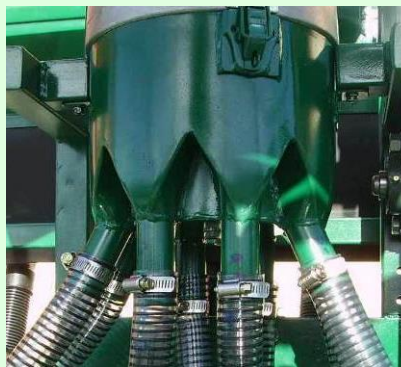
Kimseed Seed Distributors



- Seed Distributor for Kimseed Cone Seeder. This unit can be fitted to the funnel at cone outlet..
- Our range of distributors features units with 2 to 11 outlet points.
- The units are powered by a 12 volt DC motor driving an aluminium spinner at 330 rpm.
- The bottom distributor funnel assembly is easily changed if larger or smaller number of points is required.
- The updated design features larger outlets that are now 30 mm in diameter, allowing an easier flow of seeds.
- Distribution is extremely even between points - See image below



5 pt distributor & 6 pt bottom funnel



8 point distributor



Extremely Even
Seed Distribution!

Sustainable Land Management and Practical Applications since 1970

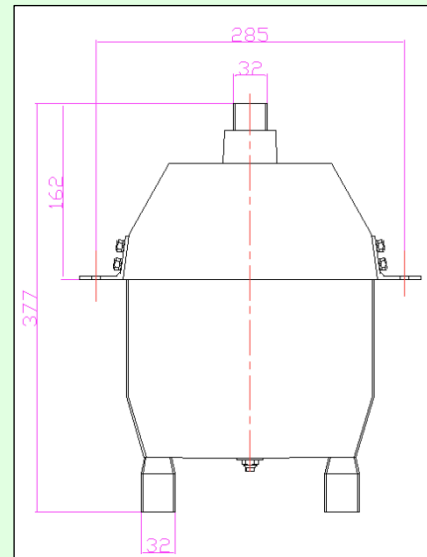
Seed Distributor dimensions

Our distributor bottoms are manufactured in several different configurations depending on the number of outlets required.

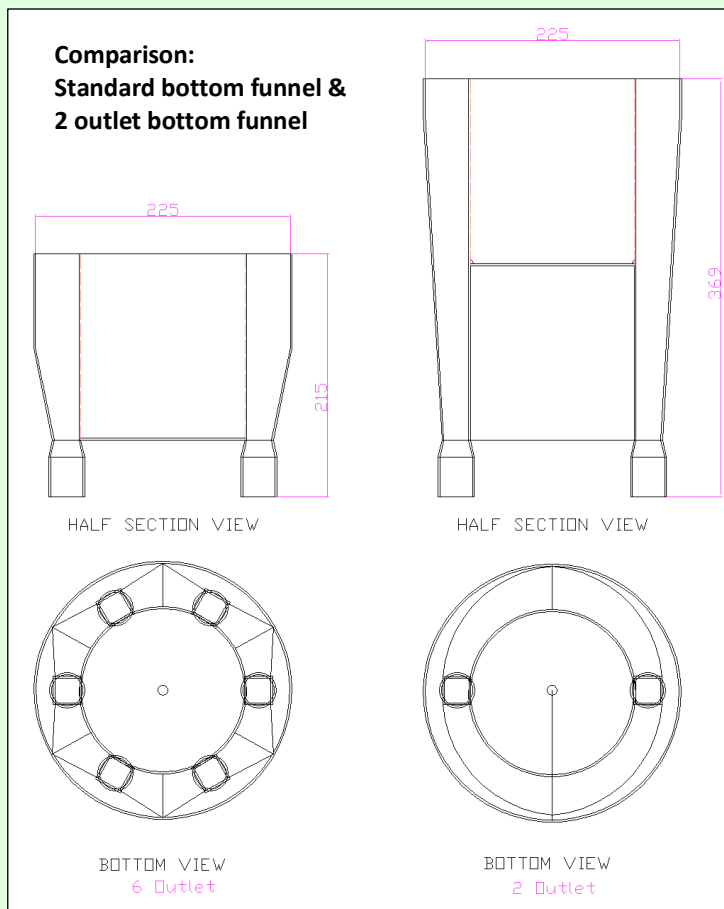
Our standard units have bottom funnels with 4 or more outlet points and the standard dimensions for the unit are given here.

Bottom funnels are interchangeable and can be ordered separately.

Please note that the bottom funnels with 2 or 3 outlets are taller. See the drawing below for comparison.



Standard distributor dimensions
(4 or more outlets)



Sustainable Land Management and Practical Applications since 1970