



Kimseed Australia Pty Ltd ABN 39 600 271 047

3 / 61 Buckingham Drive, Wangara 6065,
Western Australia.

Tel: +61- 8- 9409 2244 Email: machinery@kimseed.com.au

Web: <http://www.kimseed.com.au>

Kimseed Cone Seeding Units & Distributors (450 Series fibreglass cone)



The Kimseed Cone Seeding Units were developed for accurate metering of trial plots, for Agronomists and plant research projects.

- Up to **four** cones can be mounted on a rectangular frame and either driven by power take-off from tractor, OR direct ground-wheel drive
- Designed to sow a large variety of **seeds and fertilizers**
- **12 V DC distributors** with **up to eleven** outlets are also available to be fitted under the cones
- **450 mm cone** will accurately meter larger seed varieties on level ground
- Clear polycarbonate **wind guard** allows good visibility of seed on belt
- Clear polycarbonate **drop funnel** allows good visibility of seed level onto the cone
- 180 mm durable, high quality belt
- Complete sowing implements can be designed and manufactured by Kimseed's award winning team.

Sustainable Land Management and Practical Applications Since 1970

Australian Native
Seed Specialists

Seed & Revegetation
Equipment

Engineering Design
& Fabrication

Forestry
Management

International Environmental
Consultants

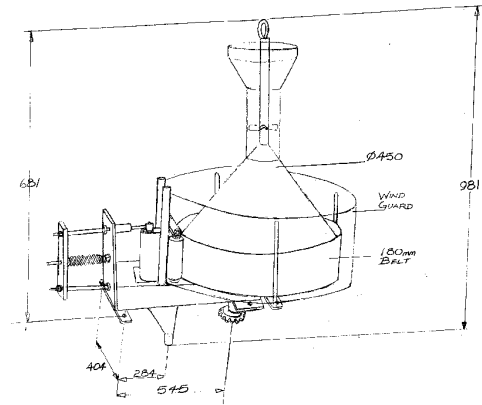
Kimseed Cone Seeding Units & Distributors

The **Kimseed** cone metering units were developed because there was **a need in the experimental side of agronomy** for a more accurate seeder than was available on the World market.

The advantage of this unit is that **the seed-retaining belt moves with the cone**. This stops the seed building up into mounds on the usually stationary outer surfaces.

Generally **up to four cone units can be mounted** on a frame, and driven via direct ground drive, or PTO. A cross drive shaft drives these units through bevel gears. **Variation in plot length** is achieved by a variable speed pulley arrangement, or a gearbox. Plot lengths from 8 metres to 25 metres are normal but can be **varied to suit requirements**.

A **large variety of seed** has been sown with these Cone Units, from subterranean clover to cow peas. The 450 series is ideal for long plots requiring large size seeds.



OPERATION:

- The seed sample is placed in the Clear Funnel above the cone, which is raised to allow the seed to fall evenly around the cone and against the belt.
- As the plot seeding machine moves forward the cone turns and the seed falls through the outlet. As there is no retarding friction on the seeds, they will move evenly to the outlet and so drop evenly separated into the funnel below.
- From the funnel the seed drops into the plastic tube on to the sowing apparatus.
- It is desirable to have the plastic pipe as short and straight as possible (30 deg. Max) otherwise irregular seed sowing will be introduced.
- It has been found that it is desirable to have one cone for each row as the distance of drop is short and straight, however, in some

Operating Specifications:

Plot Lengths -	8m to 25m
Max. seed drop angle -	30 degrees off vertical
Weight of single cone unit -	35kg
Number of Distributor Outlets -	Up to 11 - way Distributor can be fitted to funnel at cone outlet.



Distributor with 8 outlets