

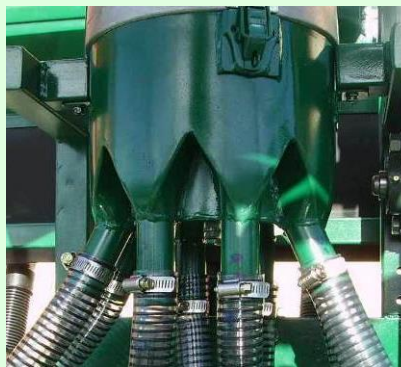
# Kimseed Seed Distributors



- Seed Distributor for Kimseed Cone Seeder. This unit can be fitted to the funnel at cone outlet..
- Our range of distributors features units with 2 to 11 outlet points.
- The units are powered by a 12 volt DC motor driving an aluminium spinner at 330 rpm.
- The bottom distributor funnel assembly is easily changed if larger or smaller number of points is required.
- The updated design features larger outlets that are now 30 mm in diameter, allowing an easier flow of seeds.
- Distribution is extremely even between points - See image below



5 pt distributor & 6 pt bottom funnel



8 point distributor



Extremely Even  
Seed Distribution!

**Sustainable Land Management and Practical Applications since 1970**

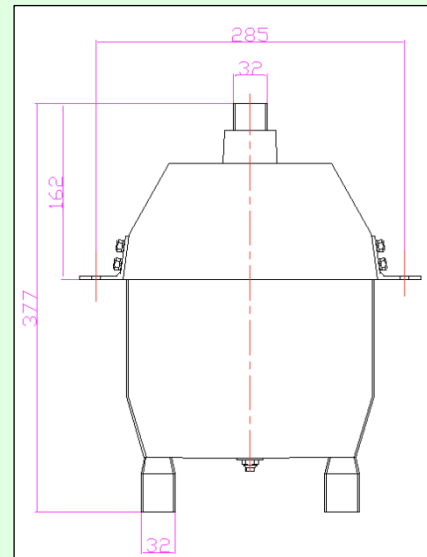
## Seed Distributor dimensions

Our distributor bottoms are manufactured in several different configurations depending on the number of outlets required.

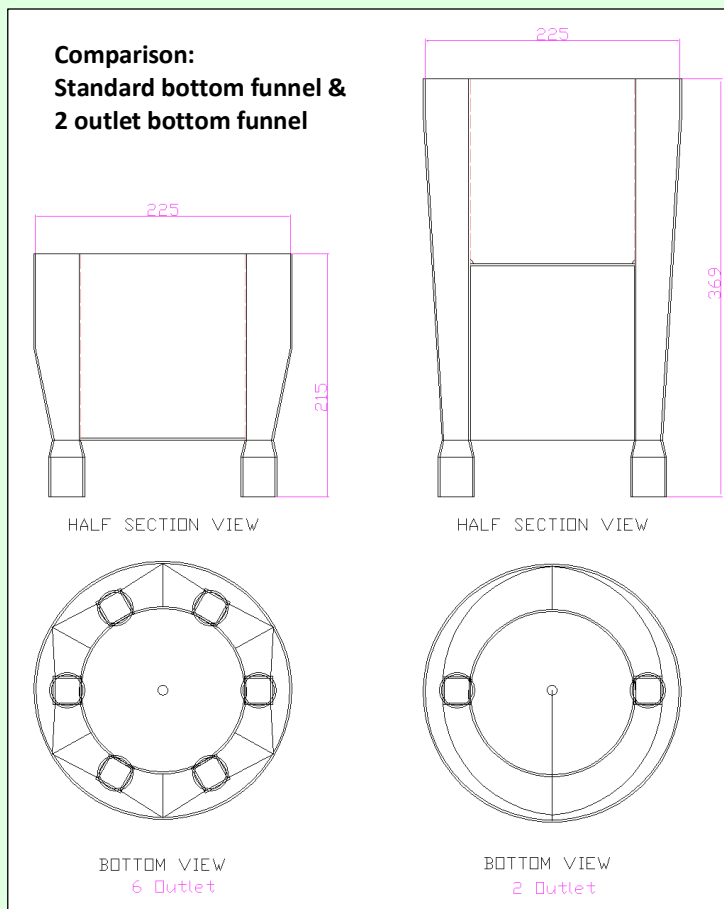
Our standard units have bottom funnels with 4 or more outlet points and the standard dimensions for the unit are given here.

Bottom funnels are interchangeable and can be ordered separately.

Please note that the bottom funnels with 2 or 3 outlets are taller. See the drawing below for comparison.



Standard distributor dimensions  
(4 or more outlets)



**Sustainable Land Management and Practical Applications since 1970**